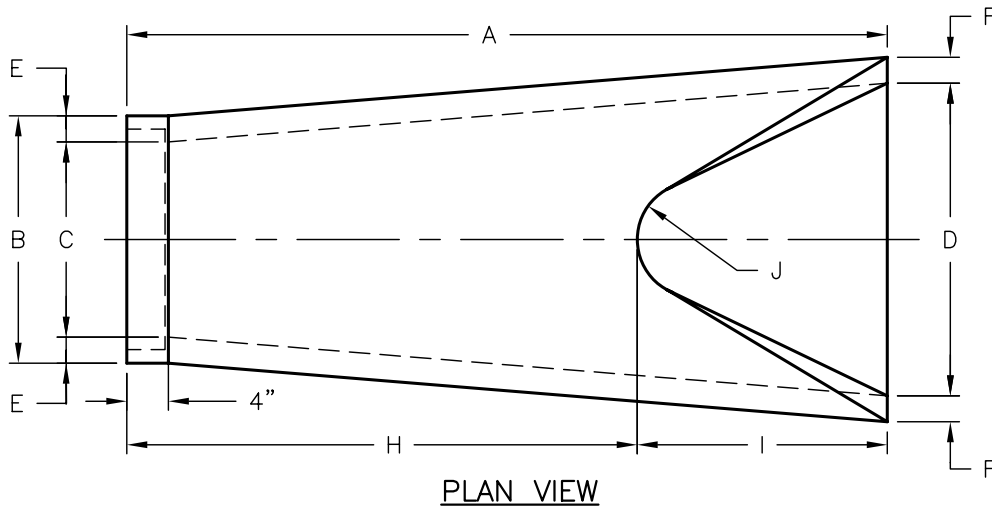
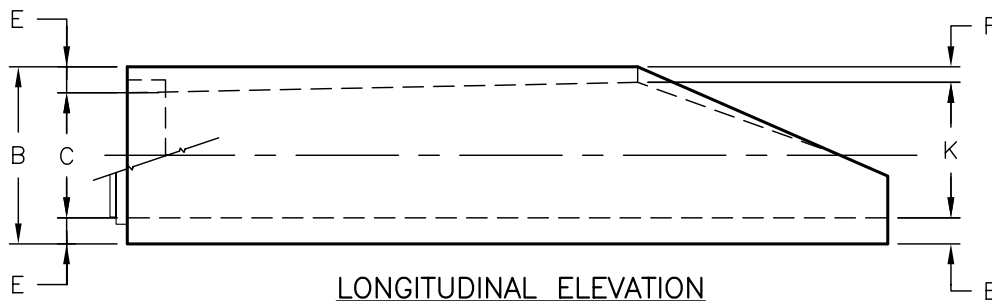


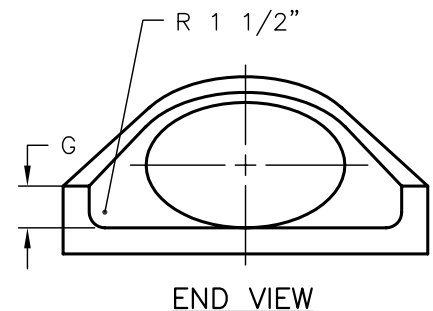
ELLIPTICAL FLARED END REINFORCED CONCRETE PIPE



PLAN VIEW



LONGITUDINAL ELEVATION



END VIEW

TYPICAL PIPE DIAMETER	LAYING LENGTH A	OUTSIDE PIPE DIA. B	INSIDE DIAMETER C	SPILL WIDTH D	WALL THICK. E	F	G	H	I	J	K	JD
12 X 18	73	17 X 23 ³ / ₄	12 X 18 ³ / ₄	30	2 ¹ / ₂	2 ¹ / ₂	4	49	24	11	13	3
14 X 23	73	20 X 28 ¹ / ₄	14 ¹ / ₂ X 22 ³ / ₄	36	2 ³ / ₄	2 ³ / ₄	6	47	26	12	15	3
19 X 30	73 ¹ / ₂	25 ³ / ₄ X 36 ³ / ₄	19 ³ / ₁₆ X 30 ¹ / ₄	48	3 ¹ / ₄	3 ¹ / ₄	9	42	31	14	20	3
24 X 38	72	31 ¹ / ₂ X 45 ³ / ₈	24 X 37 ¹ / ₈	60	3 ³ / ₄	3 ³ / ₄	10 ¹ / ₄	18	54	9	25	3
29 X 45	96	37 ²⁵ / ₃₂ X 54 ⁷ / ₁₆	28 ²⁵ / ₃₂ X 45 ⁷ / ₁₆	72	4 ¹ / ₂	4 ¹ / ₂	12 ³ / ₁₆	36	60	12	29 ²⁵ / ₃₂	3
34 X 53	96	44 ¹ / ₃₂ X 63 ¹ / ₄	34 ¹ / ₃₂ X 53 ¹ / ₄	78	5	5	17 ⁵ / ₃₂	36	60	13	35 ¹ / ₃₂	4
38 X 60	96	49 ⁹ / ₃₂ X 70 ¹⁵ / ₁₆	38 ⁵ / ₃₂ X 59 ¹⁵ / ₁₆	84	5 ¹ / ₂	5 ¹ / ₂	24 ¹⁷ / ₃₂	36	60	14	39 ⁹ / ₃₂	4

NOTES:

1. ALL DIMENSIONS IN INCHES.
2. ALL PIPES MEET ASTM & FDOT INDEX NO. 240 SPECIFICATIONS.



2200 W. SUNRISE BLVD.
FORT LAUDERDALE, FLORIDA 33311
PHONE: (954) 583-7220
SALES FAX: (954) 321-2581
OFFICE FAX: (954) 581-5734
E-MAIL: INFO@UNITEDSTATESCONCRETE.COM
WEBSITE: UNITEDSTATESCONCRETE.COM

UNITED STATES CONCRETE PIPE COMPANY

REINFORCED CONCRETE PIPE

SCALE: N.T.S.

DRAWING NUMBER: ERCPL-FLR-01

DWN BY: K.J.L.

REVISION: _____

SHEET

DWN DATE: 2005

REV DATE: _____

9 OF 9