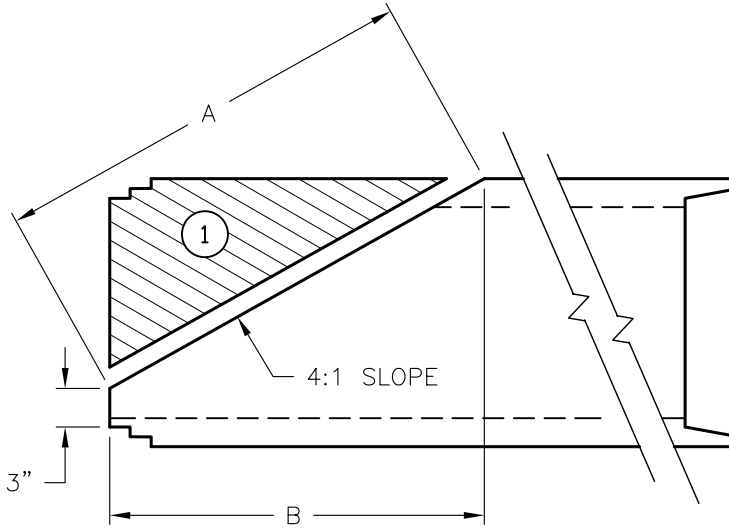
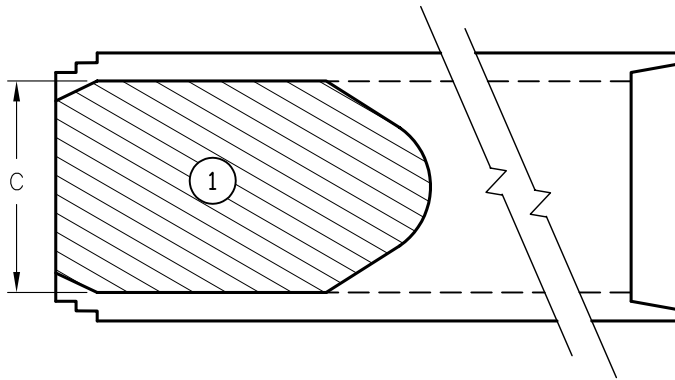


MITERED END SECTION ELLIPTICAL REINFORCED CONCRETE PIPE



SIDE VIEW

SIZE	A	B	C
12 X 18	3.06'	3.03'	1.50'
14 X 23	3.75'	3.70'	1.90'
19 X 30	5.47'	5.36'	2.37'
24 X 38	7.18'	7.03'	2.85'
29 X 45*	8.90'	8.70'	3.19'
34 X 53*	10.62'	10.36'	3.57'
38 X 60*	11.99'	11.70'	3.95'
43 X 68*	13.71'	13.36'	4.28'
48 X 76*	15.43'	15.03'	4.59'
58 X 91**	18.87'	18.36'	5.01'



TOP VIEW

NOTES:

1. REMOVED MATERIAL.
2. ALL PIPES MEET ASTM C-767 & FDOT INDEX NO. 272 & 273 SPECIFICATIONS.
3. GOOD BELL SHOWN.
4. * REQUIRES TWO SECTIONS OF PIPE TO MAINTAIN A 4:1 SLOPE.
5. ** REQUIRES THREE SECTIONS OF PIPE TO MAINTAIN A 4:1 SLOPE.
6. PIPE IS SHIPPED TO JOBSITE AS ONE PIECE TO PREVENT HANDLING DAMAGE.
7. STANDARD REINFORCING STEEL IS CUT AT JOBSITE AND SHADDED SECTION IS REMOVED.

DIMENSIONS AND WEIGHTS
8 FOOT LAYING LENGTHS
SIZES 12" X 18" THRU 58" X 91"



2200 W. SUNRISE BLVD.
FORT LAUDERDALE, FLORIDA 33311
PHONE: (954) 583-7220
SALES FAX: (954) 321-2581
OFFICE FAX: (954) 581-5734
E-MAIL: INFO@UNITEDSTATESCONCRETE.COM
WEBSITE: UNITEDSTATESCONCRETE.COM

UNITED STATES CONCRETE PIPE COMPANY

REINFORCED CONCRETE PIPE

SCALE: N.T.S.

DRAWING NUMBER: ERCP-MES-01

DWN BY: K.J.L.

REVISION: _____

SHEET

DWN DATE: 2005

REV DATE: _____

8 OF 9