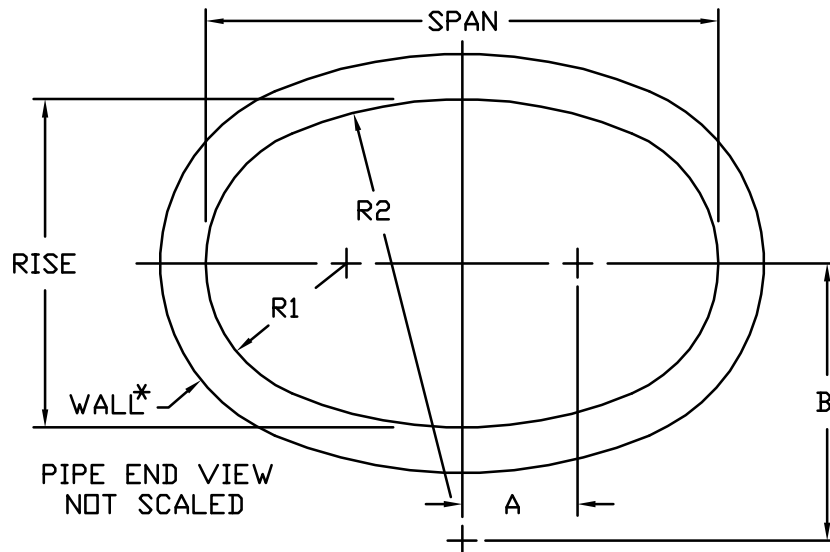


ELLIPTICAL REINFORCED CONCRETE PIPE



SIZE	RD/EQ.	RISE	SPAN	A	B	R1	R2
12x18	15	12 3/32	18 29/32	4.2559	10.2344	5.1973	16.2813
14x23	18	14 5/16	22 7/8	5.3594	12.7813	6.0781	19.9375
19x30	24	19 3/16	30 1/8	6.8438	16.3438	8.2187	25.9375
22x34	27	21 9/16	34	7.7618	18.7500	9.2382	29.5313
24x38	30	24	37 7/8	8.6719	20.8125	10.2656	32.8125
27x32	33	26 23/32	41 15/16	9.5117	22.8281	11.4570	36.1875
29x45	36	28 25/32	45 7/16	10.4102	24.9844	12.3086	39.3750
32x49	39	31 9/16	49 1/2	11.2149	26.8750	13.5351	42.6563

*SEE JOINT DETAIL FOR WALL THICKNESS

NOTES:

1. ALL DIMENSIONS IN INCHES EXCEPT WHERE NOTED.
2. PIPE SIZES SHOWN ARE EQUIVALENT TO CIRCULAR DIAMETER.
3. *REPRESENTS AVERAGE WALL THICKNESS
4. ALL PIPES MEET ASTM C-507 & FDOT INDEX NO. 272 & 273 SPECIFICATIONS.
5. PIPE JOINTS ARE 15" - 72" EQUIMLANT PROFILE TYPE RUBBER GASKET / O-RING.
6. ALL JOINTS MEET ASTM C-443 & FDOT SECTION 942 SPECIFICATIONS.

DIMENSIONS AND WEIGHTS
8 FOOT LAYING LENGTHS
DIAMETERS 15 THRU 72 INCH EQUIVALENT



2200 W. SUNRISE BLVD.
FORT LAUDERDALE, FLORIDA 33311
PHONE: (954) 583-7220
SALES FAX: (954) 321-2581
OFFICE FAX: (954) 581-5734
E-MAIL: INFO@UNITEDSTATESCONCRETE.COM
WEBSITE: UNITEDSTATESCONCRETE.COM

UNITED STATES CONCRETE PIPE COMPANY

REINFORCED CONCRETE PIPE

SCALE: N.T.S.

DRAWING NUMBER: ERCP-01

DWN BY: D.W.M.

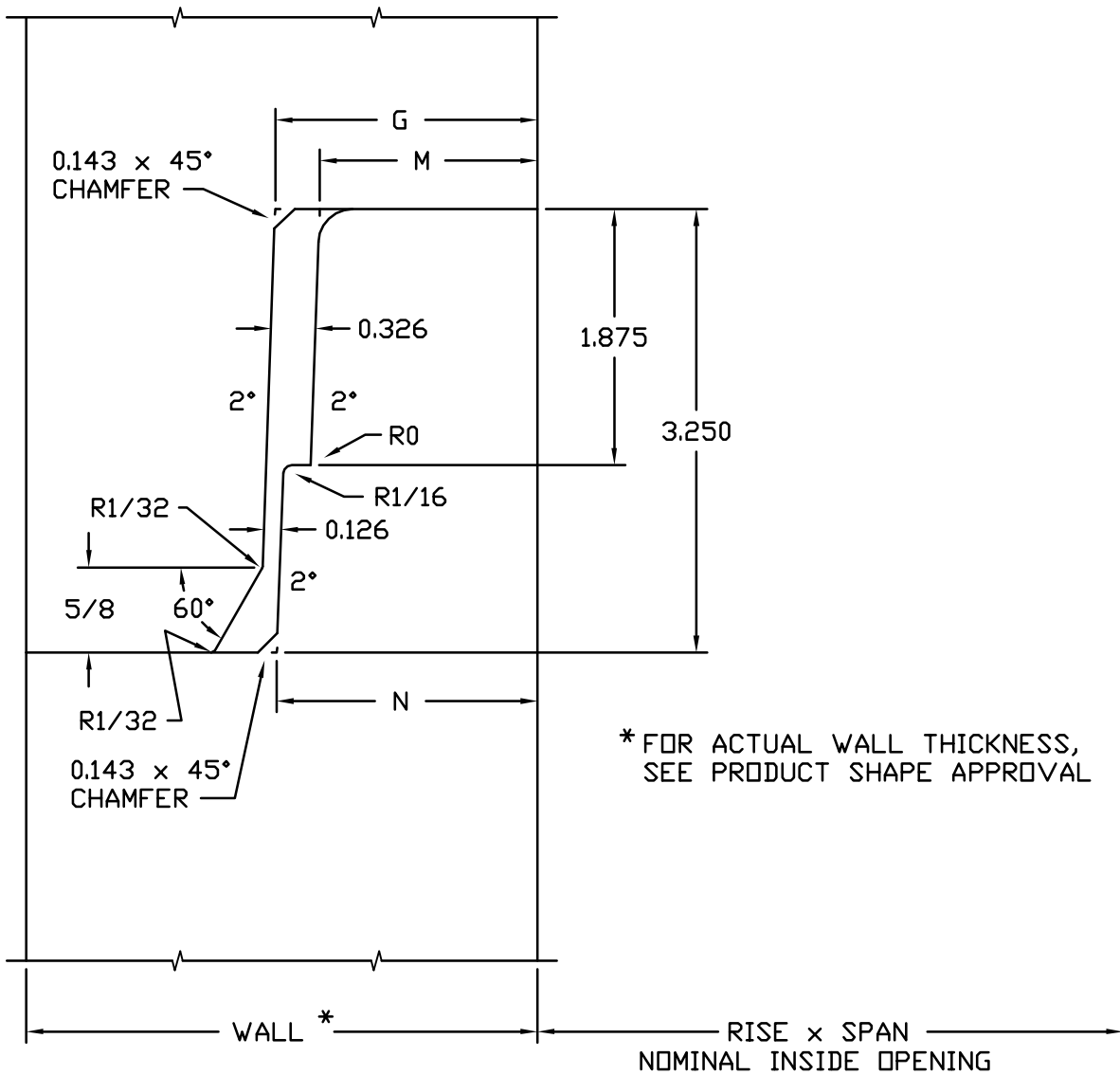
REVISION: _____

SHEET

DWN DATE: 2011

REV DATE: _____

1 OF 3



SIZE	RD/EQ.	RISE	SPAN	WALL	G	M	N
12x18	15	12 3/32	18 29/32	3 1/2	1.764	1.438	1.752
14x23	18	14 5/16	22 7/8	3 5/8	1.826	1.500	1.814
19x30	24	19 3/16	30 1/8	3 5/8	1.726	1.400	1.714
22x34	27	21 9/16	34	3 5/8	1.726	1.400	1.714
24x38	30	24	37 7/8	3 3/4	1.924	1.598	1.912
27x32	33	26 23/32	41 15/16	3 3/4	1.924	1.598	1.912
29x45	36	28 25/32	45 7/16	4 1/2	2.049	1.723	2.037
32x49	39	31 9/16	49 1/2	4 3/4	2.174	1.848	2.162



2200 W. SUNRISE BLVD.
FORT LAUDERDALE, FLORIDA 33311
PHONE: (954) 583-7220
SALES FAX: (954) 321-2581
OFFICE FAX: (954) 581-5734
E-MAIL: INFO@UNITEDSTATESCONCRETE.COM
WEBSITE: UNITEDSTATESCONCRETE.COM

UNITED STATES CONCRETE PIPE COMPANY

REINFORCED CONCRETE PIPE

SCALE: N.T.S.

DRAWING NUMBER: ERCP-01

DWN BY: D.W.M.

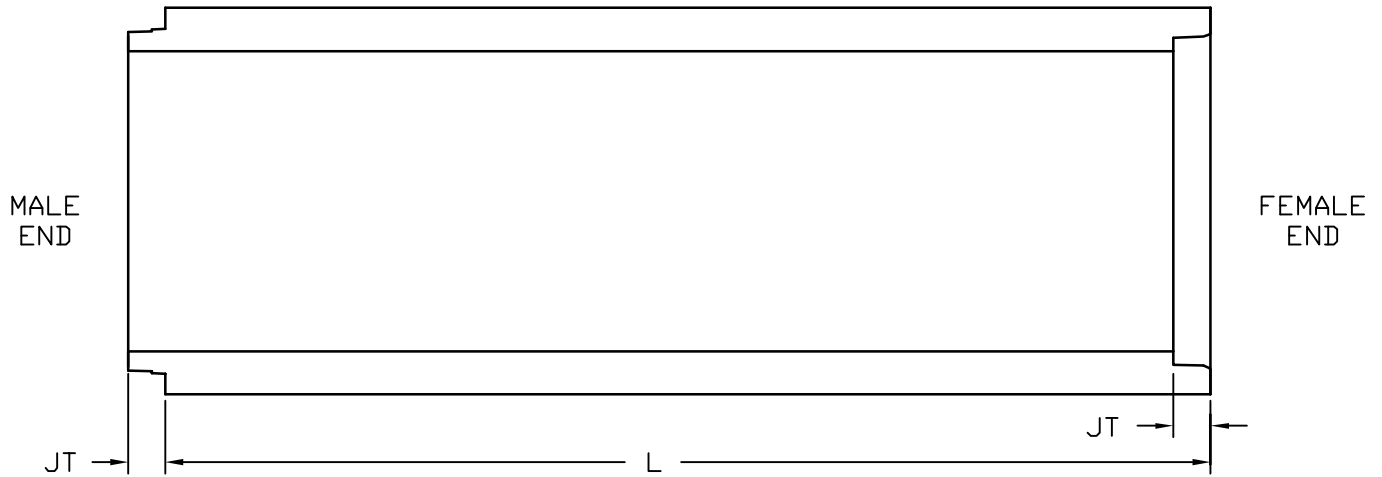
REVISION: _____

SHEET

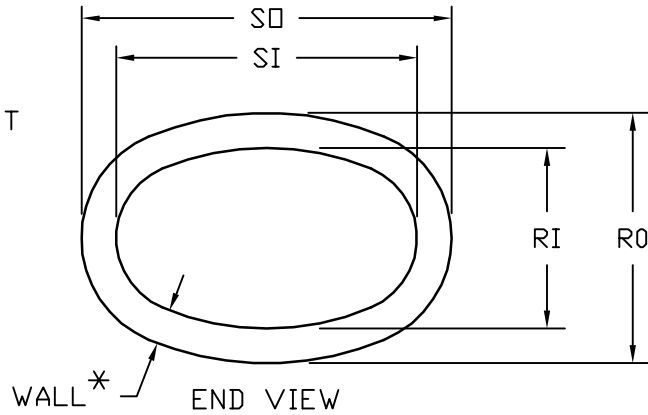
DWN DATE: 2011

REV DATE: _____

2 OF 3



* NOMINAL WALL. ACTUAL WALL THICKNESS VARIES DUE TO TAPER IN FORM SET



SIZE	WALL	L	JT	MALE END RI x SI	FEMALE END RI x SI	MALE END RO x SO	FEMALE END RO x SO
12X18	3 1/2	8'-0"	3 1/4	12 x 18 13/16	12 1/8 x 18 15/16	19 3/32 x 25 29/32	19 15/32 x 26 9/32
14X23	3 5/8	8'-0"	3 1/4	14 7/32 x 22 25/32	14 11/32 x 22 29/32	21 9/16 x 30 1/8	21 15/16 x 30 1/2
19X30	3 5/8	8'-0"	3 1/4	19 3/32 x 30 1/32	19 7/32 x 30 5/32	26 7/16 x 37 3/8	26 13/16 x 37 3/4

15", 18" & 24" ROUND EQUIVALENT ELLIPTICAL PIPE x 8'



2200 W. SUNRISE BLVD.
FORT LAUDERDALE, FLORIDA 33311
PHONE: (954) 583-7220
SALES FAX: (954) 321-2581
OFFICE FAX: (954) 581-5734
E-MAIL: INFO@UNITEDSTATESCONCRETE.COM
WEBSITE: UNITEDSTATESCONCRETE.COM

UNITED STATES CONCRETE PIPE COMPANY

REINFORCED CONCRETE PIPE

SCALE: N.T.S.

DRAWING NUMBER: ERCP-01

DWN BY: D.W.M.

REVISION: _____

SHEET

DWN DATE: 2011

REV DATE: _____

3 OF 3