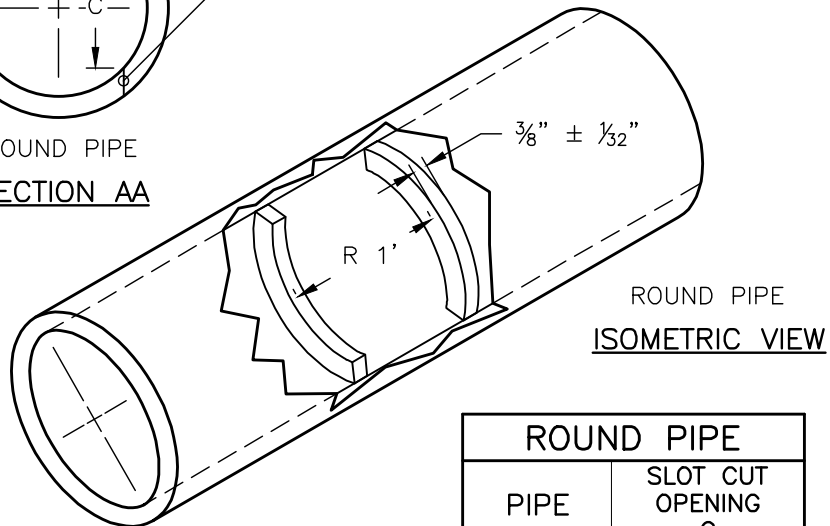
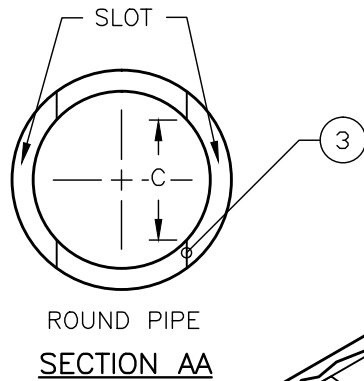
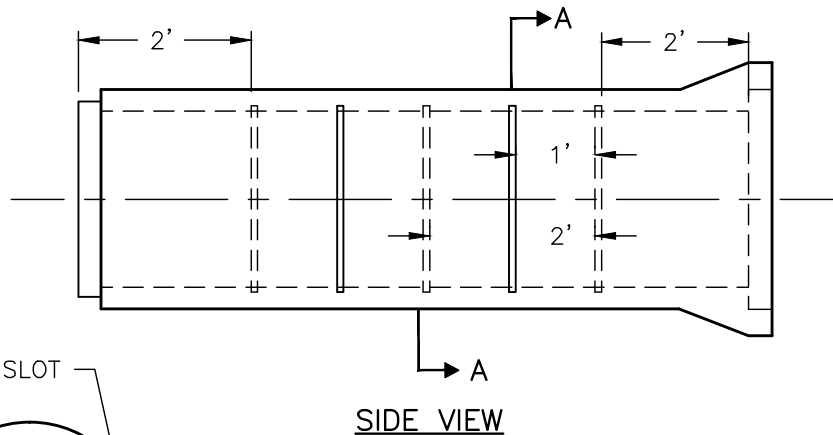
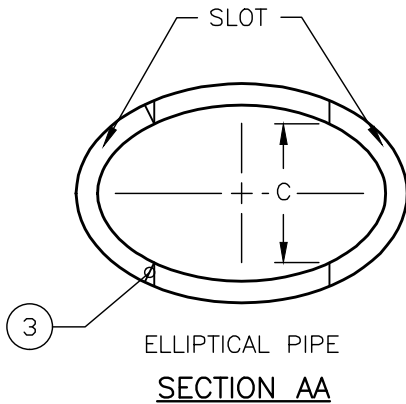


# ELLIPTICAL & ROUND SLOTTED REINFORCED CONCRETE PIPE



ELLIPTICAL PIPE		
PIPE SIZE	SLOT CUT OPENING C	
	MIN.	MAX.
14 X 23	10"	12"
19 X 30	14"	16"
24 X 38	14"	16"
29 X 45	20"	22"
34 X 53	20"	22"
38 X 60	20"	22"

ROUND PIPE		
PIPE SIZE	SLOT CUT OPENING C	
	MIN.	MAX.
15"	12"	14"
18"	12"	14"
24"	16"	18"
30"	16"	18"
36"	22"	24"
42"	22"	24"
48"	22"	24"
54"	24"	26"
60"	24"	26"
66"	24"	26"
72"	24"	26"

**NOTES:**

1. ALL DIMENSIONS IN INCHES EXCEPT WHERE NOTED.
2. THE MINIMUM OPENING WILL BE FURNISHED TO MINIMIZE CIRCUMFERENTIAL CRACKING.
3. A CURVED CUT IS ACCEPTABLE PROVIDED THE CONTROL DIMENSION IS MAINTAINED (TYPICAL FOR ROUND OR ELLIPTICAL PIPE.)
4. ALL PIPE MEETS ASTM & FDOT INDEX NO. 285 SPECIFICATIONS.

DIMENSIONS  
8 FOOT LAYING LENGTHS



2200 W. SUNRISE BLVD.  
FORT LAUDERDALE, FLORIDA 33311  
PHONE: (954) 583-7220  
SALES FAX: (954) 321-2581  
OFFICE FAX: (954) 581-5734  
E-MAIL: INFO@UNITEDSTATESCONCRETE.COM  
WEBSITE: UNITEDSTATESCONCRETE.COM

UNITED STATES CONCRETE PIPE COMPANY

## REINFORCED CONCRETE PIPE

SCALE: N.T.S.  
DWN BY: K.J.L.  
DWN DATE: 2005

DRAWING NUMBER: E/RCP-SLT-01  
REVISION: \_\_\_\_\_  
REV DATE: \_\_\_\_\_  
SHEET  
6 OF 9