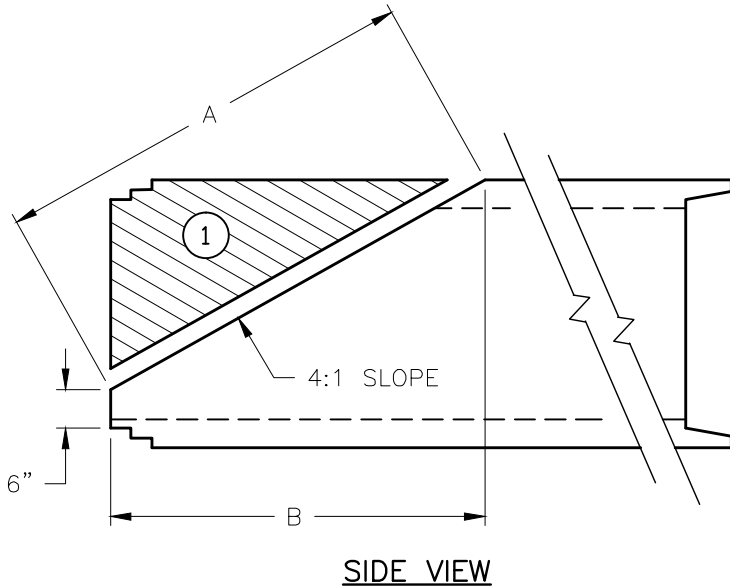
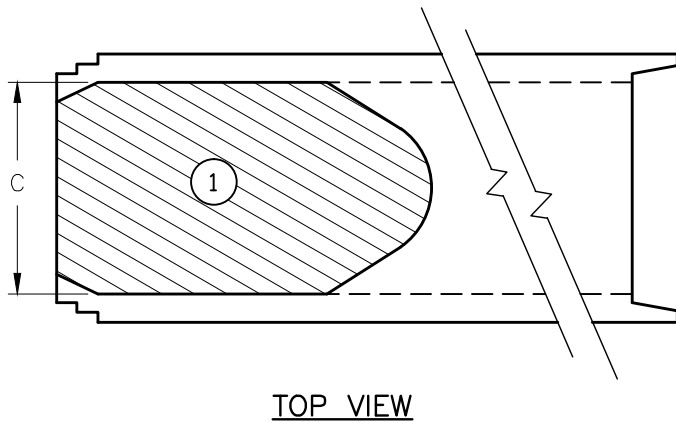


MITERED END SECTION REINFORCED CONCRETE PIPE



C	A	B
15	4.09	4.03
18	5.12	5.03
24	7.18	7.03
30*	9.25	9.03
36*	11.31	11.03
42*	13.34	13.03
48*	15.43	15.03
54**	17.49	17.03
60**	19.55	19.03
66**	21.62	21.03
72**	23.68	23.03



NOTES:

1. REMOVED MATERIAL.
2. ALL PIPES MEET ASTM C-76 & FDOT INDEX NO. 272 & 273 SPECIFICATIONS.
3. GOOD BELL SHOWN.
4. * REQUIRES TWO SECTIONS OF PIPE TO MAINTAIN A 4:1 SLOPE.
5. ** REQUIRES THREE SECTIONS OF PIPE TO MAINTAIN A 4:1 SLOPE.
6. PIPE IS SHIPPED TO JOBSITE AS ONE PIECE TO PREVENT HANDLING DAMAGE.
7. STANDARD REINFORCING STEEL IS CUT AT JOBSITE AND SHADED SECTION IS REMOVED.

DIMENSIONS AND WEIGHTS
8 FOOT LAYING LENGTHS
SIZES 12" X 18" THRU 58" X 91"



2200 W. SUNRISE BLVD.
FORT LAUDERDALE, FLORIDA 33311
PHONE: (954) 583-7220
SALES FAX: (954) 321-2581
OFFICE FAX: (954) 581-5734
E-MAIL: INFO@UNITEDSTATESCONCRETE.COM
WEBSITE: UNITEDSTATESCONCRETE.COM

UNITED STATES CONCRETE PIPE COMPANY

REINFORCED CONCRETE PIPE

SCALE: N.T.S.

DRAWING NUMBER: RCP-MES-01

DWN BY: K.J.L.

REVISION: _____

SHEET

DWN DATE: 2005

REV DATE: _____

3 OF 9

T:\CADD\ACAD\Details\From others\Manufacturer\US CONCRETE\05-USC-RCP-MES-01.dwg, 4/15/2010 4:02:21 PM, jpanicaro, li